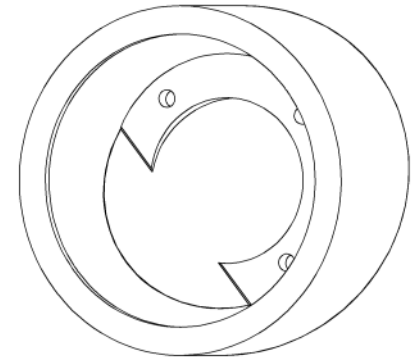
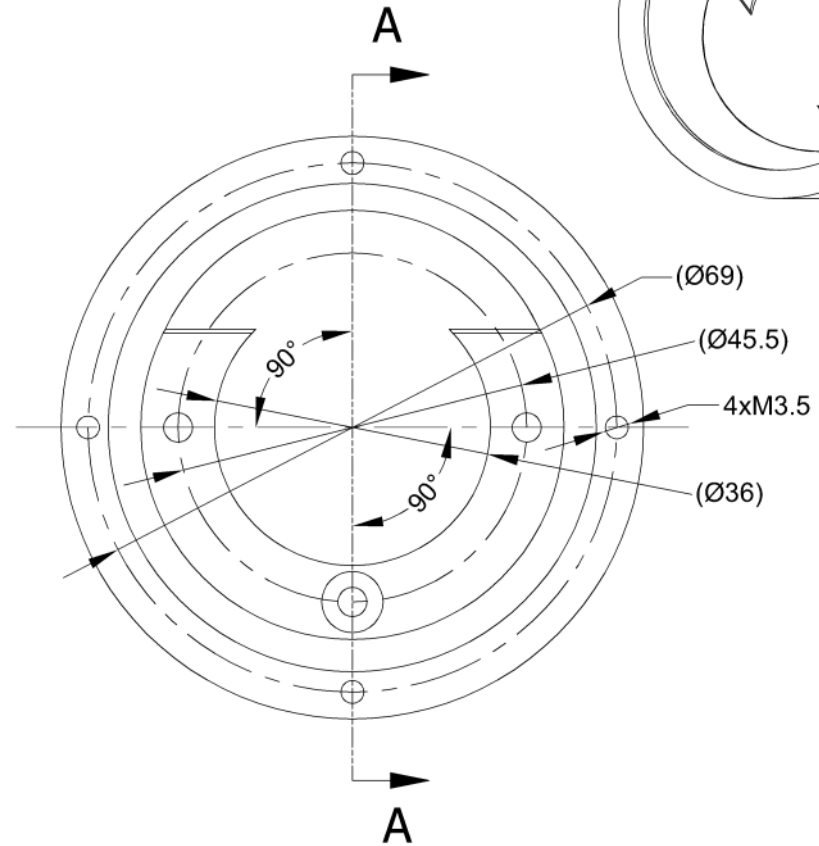
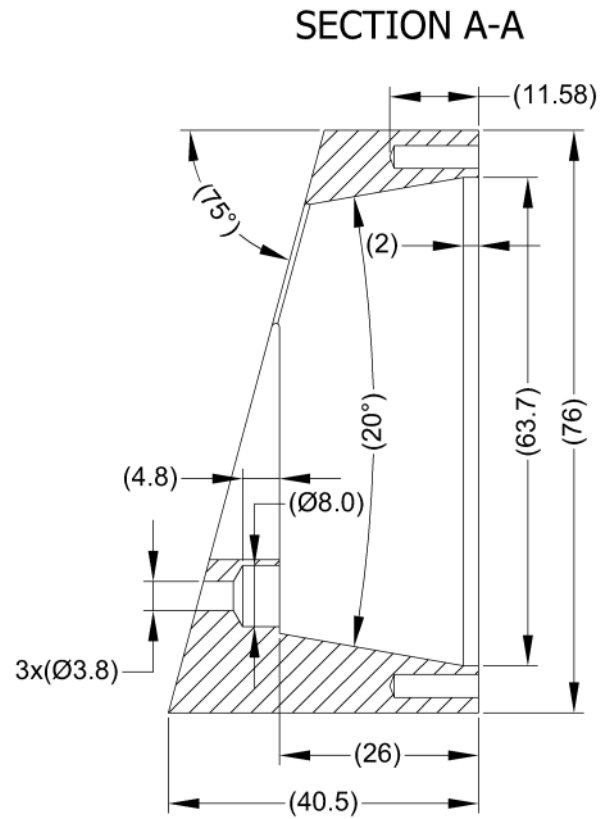


Revision Notes.		
Checked By: -	Approved By: -	Date Released: -



- NOTES:
1. FINISH: ANODISED BLACK.
  2. MATERIAL: ALUMINUM.
  3. TO BE SUPPLIED IN CLEAR PLASTIC BAG.
  4. FOR GIFT BOX LABEL REFER TO LATEST REVISION OF DRAWING BE-001809-XX-11.
  5. TO BE SUPPLIED WITH 4x M3.5x14mm MOUNTING SCREWS FOR MD-50, NOT SUPPLIED WITH VEHICLE FIXINGS.

**PROPRIETARY NOTICE**  
 THIS DESIGN AND TECHNICAL INFORMATION APPEARING ON THIS DRAWING IS THE PROPERTY OF BRIGADE ELECTRONICS, AND IS DISCLOSED IN CONFIDENCE. IT IS NOT TO BE COPIED, REPRODUCED, REVEALED OR EXPROPRIATED BY OTHERS, EITHER IN WHOLE OR IN PART WITHOUT THE EXPRESS WRITTEN CONSENT OF BRIGADE ELECTRONICS.

**BRIGADE**<sup>®</sup>  
 www.brigade-electronics.com

Assembly Pt Approval -	Approved by S.MATTHEWS	Checked by M.BUTLER	Drawn by J.NEWMAN
Angle of Projection Third Angle	Units mm	Scale N/A	Released 08/11/11
Status RELEASED	MD-50 AM		
Stock Code #2583A	BE-001805-00-11		